



performance proven **VACUUM SOLUTIONS™**

VAC ATTACK!



Trailer or Skid-Mounted Cyclones & Baghouses

Hoppers for combining with vac trucks for loading caustics or abrasives, bulk product, contaminated materials, or into roll-offs, bulk bags or onto conveyors.



VecLoader® Titan Series Mini-VecLoader Series To 5,600 CFM and 28" Hg.

Versatile wet/dry trailered vacuums with the power and performance of a vacuum truck at a fraction of the capital and maintenance cost.



VecLoader Hepa Vac® Series

Hepa filtration combined with VecLoader power and performance and the patented controls needed for the safe handling of environmentally sensitive materials. Combine with Heavy-Duty Shredders for Asbestos or Demolition Projects.



VecLoader Spartan® Series

Compact and powerful vacuums. Unique design allows loading into hoppers, drums, or other collection devices.



HDD™ Vacuum Excavators

Powerful trailer or skid mounted systems configured for recovery of directional drilling fluids and for potholing activities.



HydroVacs and Specialized Systems

To 3,600 CFM and 28" Hg.



Systems For Use with Vac Trucks

Easily transportable hoppers, baghouses, classifiers, Hepa filter banks and other modules to enhance the versatility of Vacuum trucks.



VecLoader® Titan® M Series
Shipyard vacuum with Positive Displacement blowers to cost effectively replace liquid ring vacuums.



Neptune Vacuum /Jetter Combination
High-pressure sewer jetting combined with powerful vacuum in a rugged and surprisingly affordable package.

Vector Technologies Ltd./ Vacuum Engineering Division/ 6820 N. 43rd Street/ Milwaukee WI USA 53209

Toll Free: 1 800 832 4010/ Tel: 1 414 247 7100/ Fax: 1 414 247 7110

Web Site: www.vector-vacuums.com/ E-Mail: sales@vector-vacuums.com

Toll Free 1(800) 832 4010

Vacuums · Hydro Blast Systems · Dust Collectors · Vacuum Excavation Systems · Classifiers ·
Blast and Recovery Systems · Vacuum /Jetter Combinations · Spill Response Systems ·

Parts · Rentals · Service · Solutions



performance proven **VACUUM SOLUTIONS™**

VECTOR TECHNOLOGIES LTD. AND ITS VACUUM ENGINEERING GROUP AND ROSS COOK BRANDS

are leading designers and manufacturers of industrial vacuums, abrasive blasting and surface preparation equipment, portable dust collectors and baghouses, asbestos and hazardous waste removal equipment, and other conveyance products for hazardous and non-hazardous material handling. Established in 1977, Vector designs have set world standards for reliability and performance in a variety of industrialized and specialized markets. With good listening, creative ideas, expert design, quality manufacturing, extensive field tests, and responsive service, Vector maintains its position of leadership. The employees of Vector take great pride in offering dependable, long lasting world-class products at competitive prices.

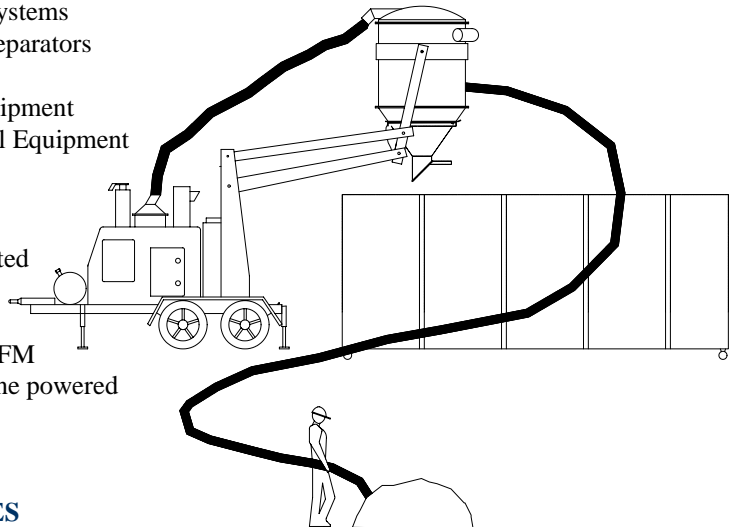
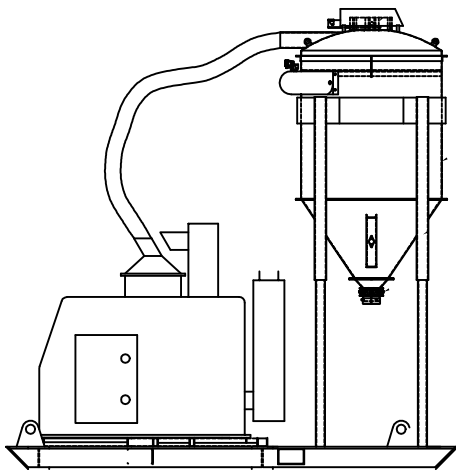
Vector provides benefits far beyond building the best equipment. Experienced in-field service personnel, extensive parts inventories and a 24-hour assistance line assure readily available technical support. Services include specialized system design, engineering and supplying of central manifold systems, start-up training, preventive maintenance programs, field repairs, and continuing customer education. Additionally, Vector can assist with machine financing and leasing programs.

PRODUCTS

- Central Vacuum Systems
- Mobile Industrial Vacuums
- Vacuum Excavators for Horizontal Directional Drilling
- Combination Vacuum and Jetter Systems
- Cyclonic Baghouses/ Intermediate Separators
- Dust Collectors/ Baghouses
- Abrasive Blasting/ Classifying Equipment
- Asbestos and Hazardous Waste Removal Equipment

CONFIGURATIONS

- Trailer, central, skid or truck mounted
- Vacuums: 5 to 500 Horsepower
- 300 to 6,000 CFM/ to 28" Hg
- Dust Collectors: 5,000 to 60,000 CFM
- Electric, diesel, gas, and liquid propane powered



INDUSTRIES

Mining	Surface Preparation	Hydro Blasting	Steel Mills	Aerospace
Wood/Paper/Pulp	Vacuum Excavation	Power Plants	Chemicals	Clean Room
Primary Metals	Site Remediation	Shipbuilding/Repair	Glass	Powder Coating
Nuclear/Asbestos	Industrial Vacuum Cleaning	General Industrial	Foundry	Chip & Wafer
Spill Recovery	Brick/Refractory	Emergency Response	Roofing	Baking
Bulk Material	Hazardous Waste	Waste Water	Cement	Plastics
Carbon	Sewer Cleaning	Railroad Car Cleaning	Catalyst	Pharmaceutical

REPRESENTATIVE CUSTOMERS

Ford Motor, Boeing, Northrop Grumman, Lockheed-Martin, Halliburton, Cat-Spec, General Electric, Dupont, Eastman Kodak, Bechtel, Bristol Myers, IBM, General Motors, Philip Morris, Rockwell International, Owens Corning, U.S. Depts. of Army, Air Force, Navy, U.S. Dept. of Energy, Boise Cascade, Carnegie Mellon, Cargil, Exxon, Hewlett Packard, International Paper, Johnson Controls, Kerr McGee, Newport News Shipbuilding, Proctor & Gamble, Lawrence Livermore, Oakridge, and Los Alamos National Labs, Textron, Tenneco, U. S. Steel, U. S. Generating, Kerr-McGee, General Dynamics, Dupont, General Mills, Kimberly-Clark, Nabisco, Pillsbury, 3M, Toyota, Honda, Xerox, Alcoa.

VECTOR TECHNOLOGIES LTD. / VACUUM ENGINEERING GROUP/ ROSS COOK BRAND

6820 North 43rd Street/ Milwaukee, WI USA

Toll Free: 1 800 832-4010/ Phone: 1 414 247-7100

Fax: 1 414 247-7110/ E-Mail: info@vector-vacuums.com/ Website: www.vector-vacuums.com

Vacuums · Hydro Blast Systems · Dust Collectors · Vacuum Excavation Systems · Classifiers · Blast and Recovery Systems · Vacuum /Jetter Combinations · Spill Response Systems · Parts · Rentals · Service · Solutions