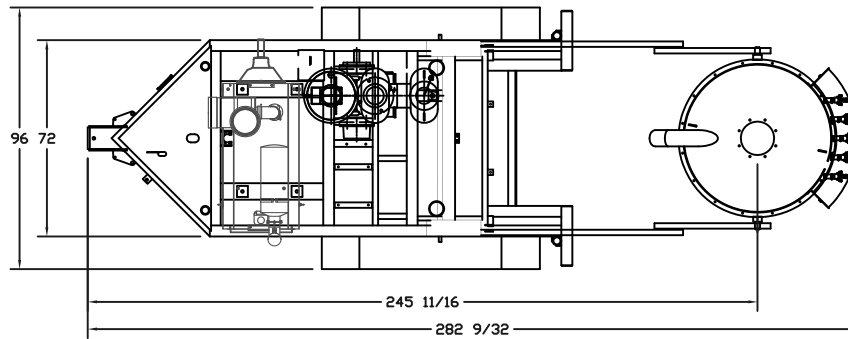
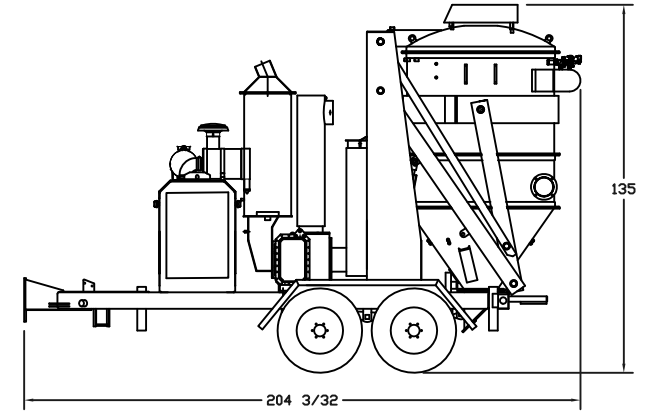
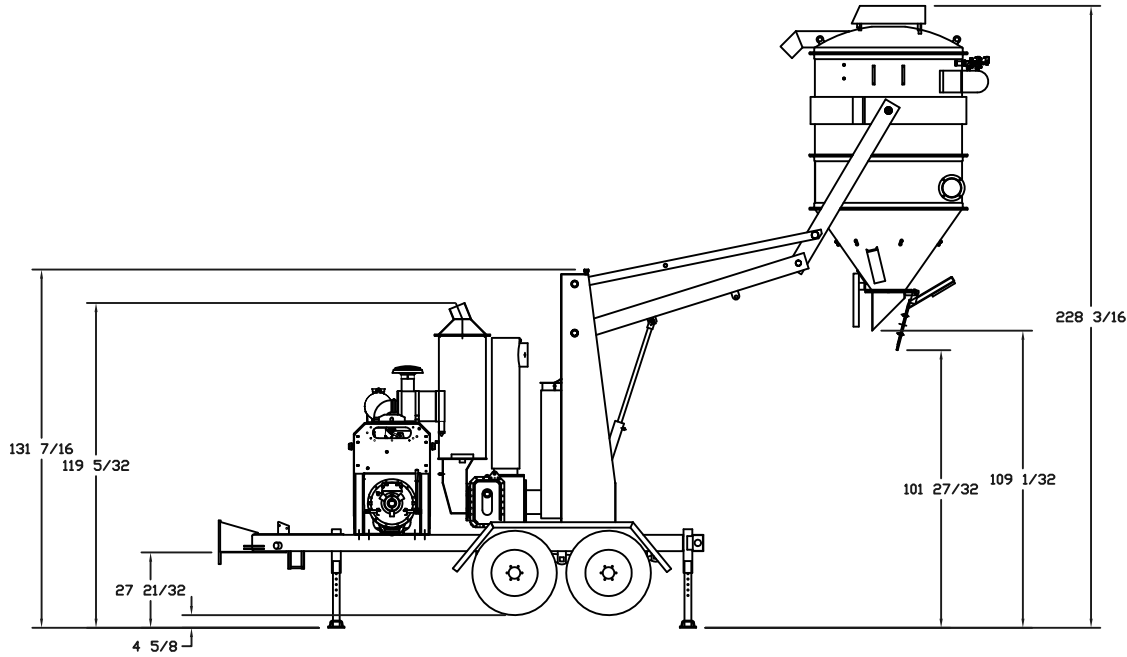


| ITEM | QTY | DESCRIPTION | M/CODE |
|------|-----|-------------|--------|
| 1    | 1   |             | -      |
| 2    | 2   |             | -      |
| 3    | 3   |             | -      |




**PROPRIETARY INFORMATION**

THIS DRAWING IS THE PROPERTY OF VECTOR TECHNOLOGIES, LTD. ("OWNER"). IT MUST NOT BE TRACED, COPIED, OR REPRODUCED IN ANY MANNER, NOR SHALL IT BE LOANED OR SUBMITTED TO OTHERS FOR EXAMINATION WITHOUT THE CONSENT OF OWNER. IT SHALL BE USED ONLY AS A MEANS OF REFERENCE TO WORK, DESIGNED OR FURNISHED BY OWNER.

| REV | CHANGE DESCRIPTION | DATE | INIT |
|-----|--------------------|------|------|
| 6   |                    |      |      |
| 5   |                    |      |      |
| 4   |                    |      |      |
| 3   |                    |      |      |
| 2   |                    |      |      |
| 1   |                    |      |      |

TOLERANCE UNLESS OTHERWISE SPECIFIED  
 FRACTIONS: ± 1/32 ANGLES: 0°30'  
 DECIMALS .XX ± .01  
 .XXX ± .005  
 .XXXX ± .0005  
 MACHINE FINISH 125 MICRO-INCH  
 ALL MACHINED DIAMETERS  WITHIN .002 TIR  
 ALL MACHINED SURFACES  
 WITHIN .002 PER INCH OF LENGTH  
 WITHIN .002 PER INCH OF LENGTH  
 ALL RADII SHOWN AND NOT SPECIFIED 1/16  
 BREAK ALL SHARP CORNERS 1/32 X 45°

|          |          |
|----------|----------|
| DRAWN BY | RMR      |
| DATE     | 03/17/08 |
| CHK'D BY |          |
| QUANTITY | ~        |
| MATERIAL | ~        |
| M/CODE   | ~        |
| SCALE    | 1=36     |

|   |   |                           |
|---|---|---------------------------|
|  | Vector Technologies Ltd.<br>6820 North 43rd Street<br>Minneapolis, UT 82509<br>Ph: (414) 347-9100<br>F: (800) 828-0910<br>Fax: (414) 347-9110 |                           |
|   | <b>performance proven VACUUM SOLUTIONS™</b>   |                           |
| VECLOADER 616/624<br>GENERAL ARRANGEMENT  | SHEET NUMBER<br>1 OF 1  | DRAWING NUMBER<br>XXXX-XX |
| XXXXXXXXXXXX  |   |                           |

NEXT ASS'Y ~