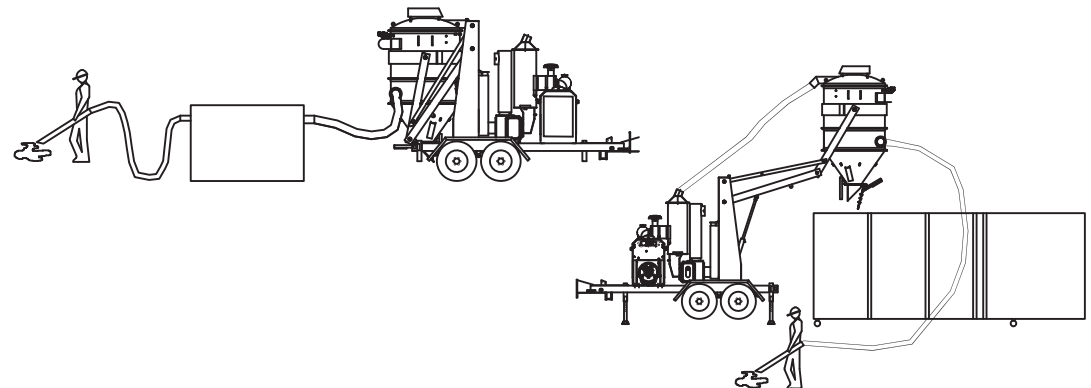
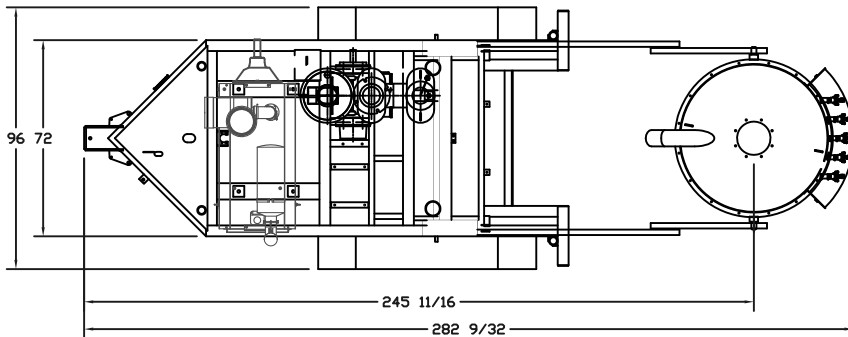
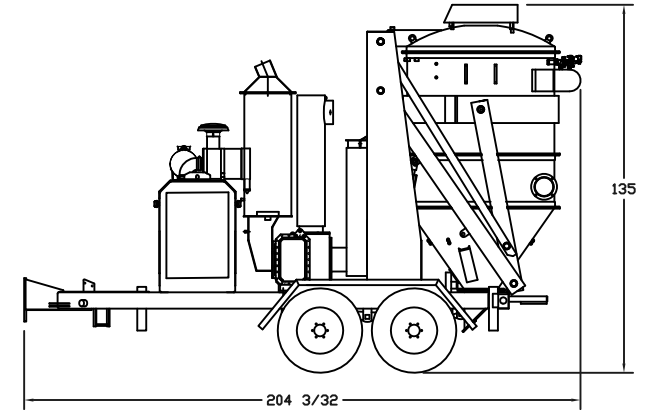
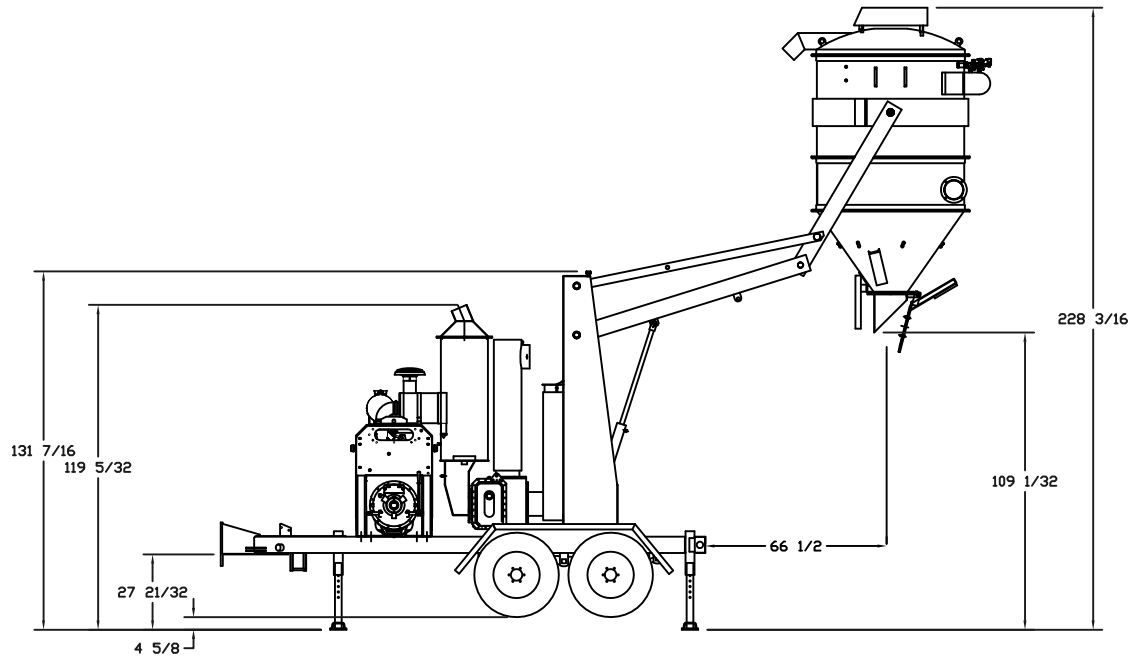


| ITEM | QTY | DESCRIPTION | M/CODE |
|------|-----|-------------|--------|
| 1 | 1 | | - |
| 2 | 2 | | - |
| 3 | 3 | | - |



Standard Weights:

624 = 11,250#, Options will add additional weight

616 = 11,250#, Options will add additional weight

Add approximately 400 pounds for Catalyst package

PROPRIETARY INFORMATION

THIS DRAWING IS THE PROPERTY OF VECTOR TECHNOLOGIES, LTD. ("OWNER"). IT MUST NOT BE TRACED, COPIED, OR REPRODUCED IN ANY MANNER, NOR SHALL IT BE LOANED OR SUBMITTED TO OTHERS FOR EXAMINATION WITHOUT THE CONSENT OF OWNER. IT SHALL BE USED ONLY AS A MEANS OF REFERENCE TO WORK DESIGNED OR FURNISHED BY OWNER.

| REV | CHANGE DESCRIPTION | DATE | INIT |
|-----|--------------------|------|------|
| 6 | | | |
| 5 | | | |
| 4 | | | |
| 3 | | | |
| 2 | | | |
| 1 | | | |

TOLERANCE UNLESS OTHERWISE SPECIFIED
 FRACTIONS: $\pm 1/32$ ANGLES: $0^{\circ}30'$
 DECIMALS .XX $\pm .01$
 .XXX $\pm .005$
 .XXXX $\pm .0005$
 MACHINE FINISH 125 MICRO-INCH
 ALL MACHINED DIAMETERS \square WITHIN .002 TIR
 ALL MACHINED SURFACES
 \square WITHIN .002 PER INCH OF LENGTH
 \square WITHIN .002 PER INCH OF LENGTH
 ALL RADII SHOWN AND NOT SPECIFIED 1/16
 BREAK ALL SHARP CORNERS: 1/32 X 45°

| | |
|----------|----------|
| DRAWN BY | RMR |
| DATE | 03/17/08 |
| CHK'D BY | |
| QUANTITY | ~ |
| MATERIAL | ~ |
| M/CODE | ~ |
| SCALE | 1=36 |

Vector Technologies Ltd.
 6880 North 48th Street
 Minneapolis, UT 85209
 Ph: (616) 847-9100
 F: (800) 828-0910
 Fax: (616) 847-9110

VECTOR

performance proven VACUUM SOLUTIONS™

| | |
|---|---------------------------|
| DIESEL VECLOADER 616HP/624 GENERAL ARRANGEMENT | SHEET NUMBER 1 OF 1 |
| XXXXXXXXXXXX | DRAWING NUMBER XXXX-XX |